

Part Number: PT278-0T090

NOTE: Part number of this accessory may not be the same as the part number shown.

Kit Contents

Item #	Quantity Req'd.	Description
1	2	Roof Rail Assembly
2	2	Roof Rail Cover
3	1	Cross Bar Kit (see content below)
4	1	Hardware Bag (see content below)

Hardware Bag Contents

Item #	Quantity Req'd.	Description
1	1	Instructions
2	10	Rail Mounting Bolts T-30
3	10	Mastic Washers
4	8	Rubber Plugs

Cross Bar Kit Contents

Item #	Quantity Req'd.	Description
1	1	Cross Bar Assembly FRT
2	1	Cross Bar Assembly RR
3	1	Cross Bar Hardware Bag

Cross Bar Hardware Bag Contents

Item #	Quantity Req'd.	Description
1	8	Screw M5x0.8x19.0 T-25

Additional Items Required For Installation

Item #	Quantity Req'd.	Description
1		

Conflicts

--

Recommended Tools

Personal & Vehicle Protection	Notes
Safety Glasses	
Protective Cloth	
Special Tools	Notes
X-Acto Knife, Deburring tool or equivalent	
Hand Roller	Hard Rubber or Wood Hand Roller, 1".
T-Handle Allen 3/32" (2mm)	T-Handle Allen or Equivalent
Installation Tools	Notes
T-30 Torx Driver	
T-25 Torx Driver	
Nylon Panel Removal Tool	i.e.: Panel Pry Tool #1 Toyota SST#00002-06001-01
Torque Wrench	0-150 Lbf-in.
Tape Measure	
Shears	
Rubber Mallet	
Special Chemicals	Notes
Cleaner	

General Applicability

All Non-Panoramic Roof Models.

Recommended Sequence of Application

Item #	Accessory
1	

*Mandatory

Vehicle Service Parts (may be required for reassembly)

Item #	Quantity Req'd.	Description
1		

Legend



STOP: Damage to the vehicle may occur. Do not proceed until process has been complied with.



OPERATOR SAFETY: Use caution to avoid risk of injury.



CAUTION: A process that must be carefully observed in order to reduce the risk of damage to the accessory/vehicle and to ensure a quality installation.



TOOLS & EQUIPMENT: Used in Figures calls out the specific tools and equipment recommended for this process.



REVISION MARK: This mark highlights a change in installation with respect to previous issue.



SAFETY TORQUE: This mark indicates that torque is related to safety.

Section II - Installation Procedure

Care must be taken when installing this accessory to ensure damage does not occur to the vehicle. The installation of this accessory should follow approved guidelines to ensure a quality installation.

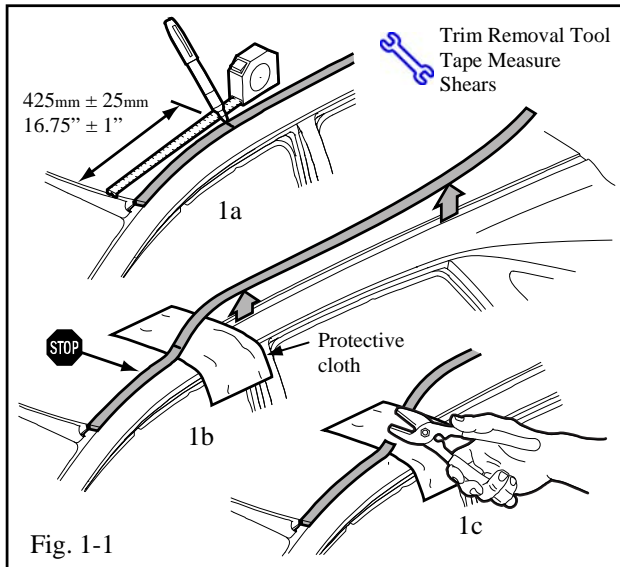
These guidelines can be found in the "Accessory Installation Practices" document.

This document covers such items as:

- Vehicle Protection (use of covers and blankets, cleaning chemicals, etc.).
- Safety (eye protection, rechecking torque procedure, etc.).
- Vehicle Disassembly/Reassembly (panel removal, part storage, etc.).
- Electrical Component Disassembly/Reassembly (battery disconnection, connector removal, etc.).

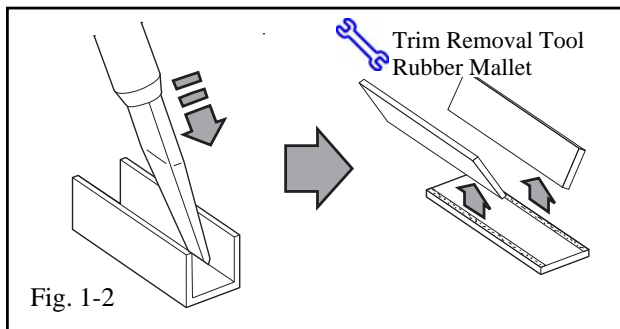
Please see your Toyota dealer for a copy of this document.

NOTE: FOR INSTALLATION OF CROSS BARS ONLY, GO TO STEP 7 (Page 4)



1. Vehicle Preparation.

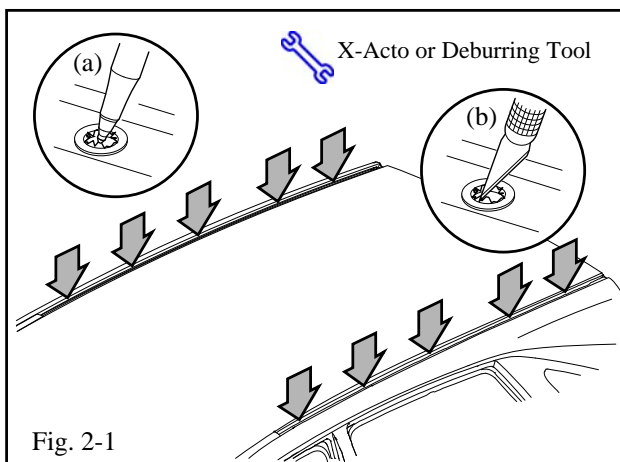
- ⚠ (a) Using tape measure, measure rearward from front window lace 425mm ± 25mm (16¾" ± 1") and mark the factory ditch mold for cutting. (Fig. 1-1a)
- ⚠ (b) Carefully lift ditch molding, starting at the rear to just beyond the cut line. **Do not remove molding totally from front ditch & clip.** Place a protective cloth. (Fig. 1-1b)
- ⚠ (c) Using shears, cut ditch mold. (Fig. 1-1c)
- ⚠ (d) Carefully remove any remaining tape residue from rear of ditch.
- (e) Using trim removal tool and rubber mallet, break off vertical walls of **rear ditch clips** (RH & LH). Wedge trim removal tool in from outside then give it a sharp blow with the rubber mallet. This should cause wall to break. Repeat for both sides. (Fig. 1-2)
- ⚠ (f) Clean work area before installing rails



- (1) Saturate a clean lint-free cloth with approved cleaner and clean the work surface of the vehicle. Follow the solvent manufacturer's directions carefully. Do not allow cleaner to air dry.
- (2) Wipe the clean surface with a clean, dry, lint-free cloth.

2. Prepare Roof for Rack Installation (Fig. 2-1)

- (a) Puncture tape that covers the 10 weldnuts (5 RH & 5 LH) with a ball point pen.
- ✚ (b) Using an X-Acto knife or de-burring tool, carefully remove all seal material so that the weld nut is visible and no seal material is down near the threads.



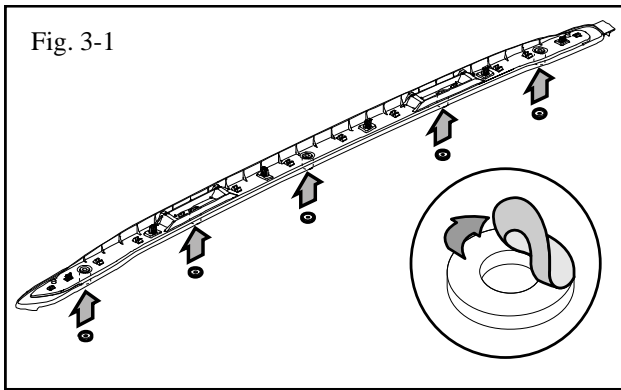


Fig. 3-1

3. Install Mastic Washers (Fig. 3-1)

- (a) Remove tape backing from the adhesive backed washers and install to bottom of side rail base (5 places each side).

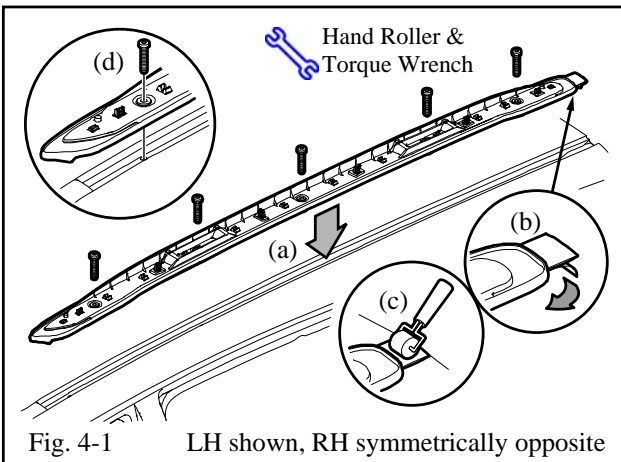


Fig. 4-1 LH shown, RH symmetrically opposite

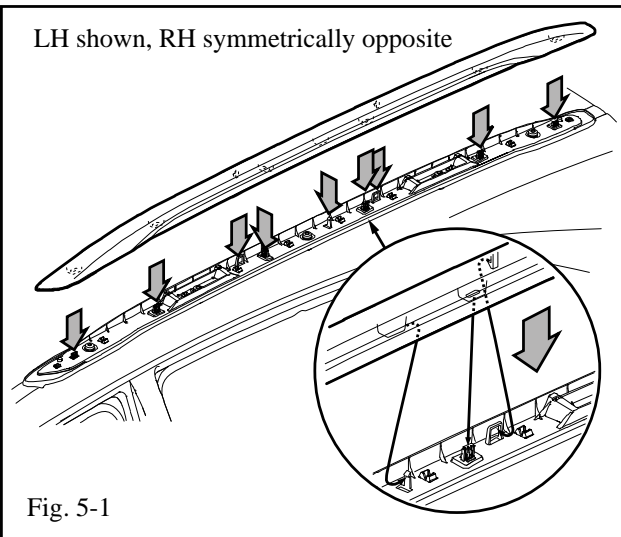
4. Secure Rails to Roof (Fig. 4-1)

- (a) Fit rail into ditch above hole positions and hand start 5 T-30 mounting screws per rail.
- (b) Remove tape backing from rear ditch molding.
- (c) Using the hand roller, roll around the rear ditch molding with at least 15lbs (7kg) of pressure to ensure complete adhesion of tape to vehicle.
- (d) Using the T-30 torque wrench, torque bolts to 13.0 – 13.6 Nm (115 - 120 Lbf.-in.)

5. Install Covers (Fig. 5-1)

- (a) Align cover over clips on side rails. Starting from the center moving outward, press down onto rail until all clips are fully engaged (9 places per side).

⚠ NOTE: Verify clip orientation to rail cover before installation. RH & LH sides are different.



LH shown, RH symmetrically opposite

Fig. 5-1

STOP 6. If Crossbars are being installed at this time, proceed to STEP 7, if NOT then:

- ⚠** (a) Use 3/32” or 2mm T-Handle tool or equivalent to insert plugs (4 each side). (Fig. 6-1)
- ⚠** (b) Place the crossbar kit box inside the cargo area.
- ⚠** (c) Place installation instructions in the glove box.

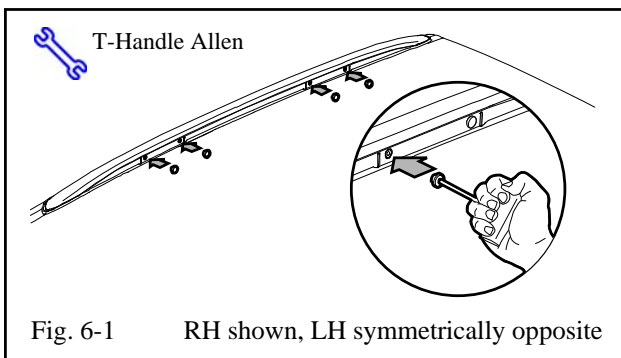
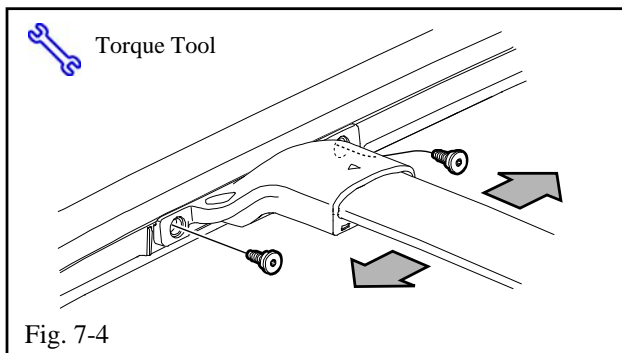
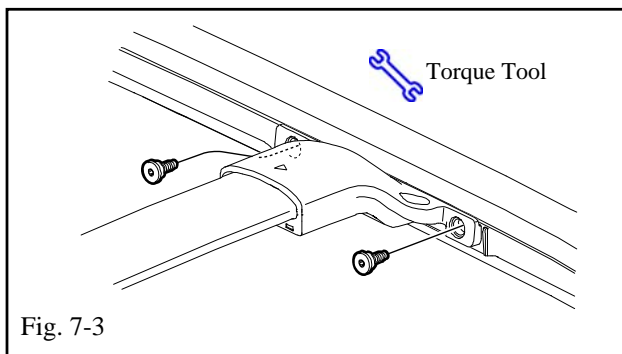
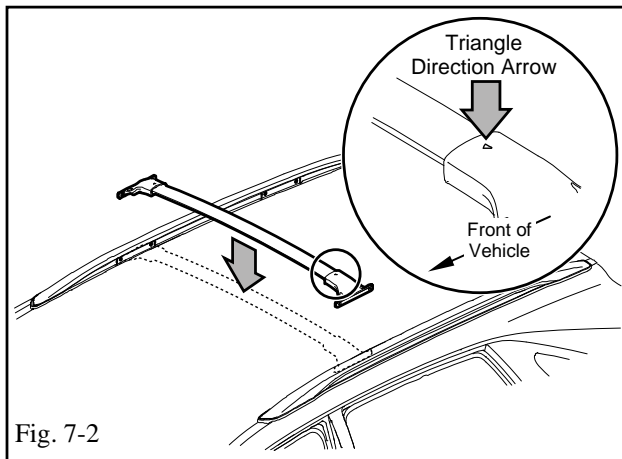
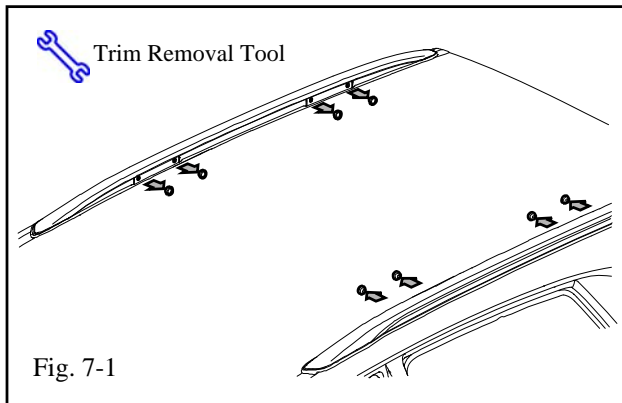



Fig. 6-1 RH shown, LH symmetrically opposite




7. Install Cross Bars





-  (a) Remove plugs from 4 inboard locations on each side rail. (Fig. 7-1)
- (b) Place front crossbar on roof between side rails. Locate installation point using ribs on inboard of side rail.

Note: triangles point toward front of vehicle (Fig. 7-2)

- (c) Install 2 M5 screws to secure LH side to rail. (Fig. 7-3)
- (d) Adjust RH side and install two M5 screws to fasten to rail. (Fig. 7-4)
- (e) Repeat (b) thru (d) for Rear Cross Bar

-  (f) Torque all M5 screws to 8.0 Nm (71 Lbf.-in.)
- Note: Place a towel under the tightening tool to prevent any damage to the painted surface.

8. Complete Installation

-  (a) Verify that cross bars and roof rails are secure.
-  (b) Place the installation instructions inside the glove box.
-  (c) **Owner should periodically verify screws are tight to the specified torque when crossbars are installed.**
-  (d) **After 5 installations, crossbar screws should be replaced to ensure proper torque retention. Contact your dealer to order replacement hardware (Part Number: PT278-0T090-HW).**

TOYOTA **VENZA** **2009-** **Roof Rails & Cross Bars**
Checklist - these points **MUST** be checked to ensure a quality installation.

Check:

Look For:

Accessory Function Checks

- Side rails should be secure
- Covers should be secure

- Cross bars should be secure
- Gap between roof rack side rail pads and vehicle roof surface
- Gap between ditch molding and side rail pad front lip (frontal area)

Torque 13.0 – 13.6 Nm (115 - 120 Lbf.-in.)

Gaps between cover and rail pads and cover looseness

Torque 8.0 Nm (71 Lbf.-in.).

Not greater than 1.5 mm

Not Greater than 2.5 mm

Vehicle Function Checks

- None Required