

# Front License Plate Installation During PDS

**Service Category** General

**Section** Pre-Delivery Service

**Market** USA

Toyota Supports  
 ASE Certification 

## Applicability

YEAR(S)	MODEL(S)	ADDITIONAL INFORMATION
2009	Venza	

## Introduction

The front license plate mounting bracket and two (2) self-tapping screws are loaded in the luggage compartment at the assembly plant. Follow the procedure below to install the front license plate on 2009 model year Venza vehicles during Pre-Delivery Service (PDS).

## Warranty Information

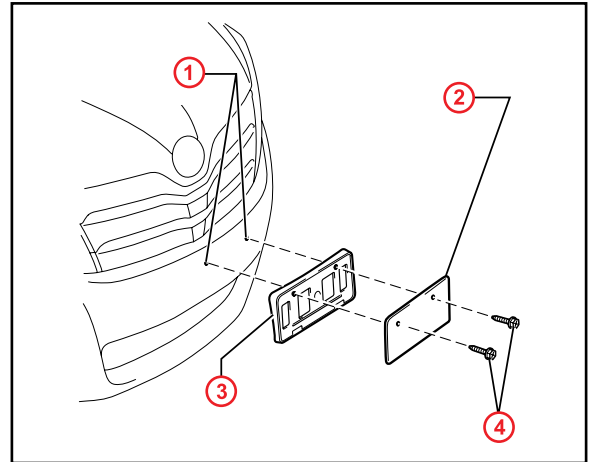
OP CODE	DESCRIPTION	TIME	OFP	T1	T2
N/A	Not Applicable to Warranty	–	–	–	–

## Front License Plate Installation During PDS

### Installation Procedure

1. Insert the front license plate into the mounting bracket.

**Figure 1.**



<b>1</b>	Dimples
<b>2</b>	License Plate
<b>3</b>	Front License Plate Bracket
<b>4</b>	Self-tapping Screw

2. Align the installation holes on the mounting bracket and front license plate with the dimples on the front bumper.
3. Screw in the 2 self-tapping screws directly into the dimples to install the front license plate and mounting bracket.

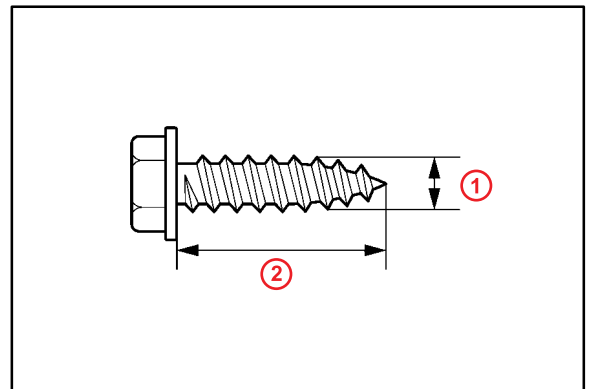
**Nominal Length: 20.0 mm (0.79 in.)**

**Diameter: 6.0 mm (0.24 in.)**

**HINT**

- Do NOT pre-drill holes in the dimples.
- Do NOT overtighten the self-tapping screws.

**Figure 2.**



<b>1</b>	Diameter
<b>2</b>	Nominal Length