

Tire Pressure Warning System Verification

Service Category General

Section Pre-Delivery Service

Market USA

Toyota Supports
 ASE Certification 

Applicability

YEAR(S)	MODEL(S)	ADDITIONAL INFORMATION
2009	Venza	

Introduction

The 2009 model year Venza is equipped with a direct-type Tire Pressure Warning System (TPWS). Each tire (except the spare tire) has a tire pressure warning valve/sensor that measures tire pressure data. The data is transmitted to the Tire Pressure Warning System antenna/receiver and then to the Tire Pressure Warning System ECU.

The TPWS system and sensors have been activated and initialized at the plant. Perform the following procedure during Pre-Delivery Service (PDS) to verify the system is working properly.

Warranty Information

OP CODE	DESCRIPTION	TIME	OFB	T1	T2
N/A	Not Applicable to Warranty	–	–	–	–

Required Tools & Equipment

REQUIRED EQUIPMENT	SUPPLIER	PART NUMBER	QTY
TIS Techstream* NOTE: Software version 4.00.017 or later is required.	ADE	TSPKG1	1

* Essential SST.

NOTE

Additional TIS Techstream units may be ordered by calling Approved Dealer Equipment (ADE) at 1-800-368-6787.

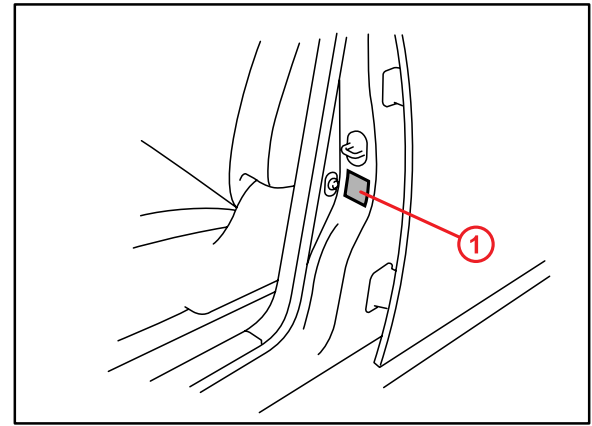
Tire Pressure Warning System Verification

Verification Procedure

1. Connect TIS Techstream.
2. Adjust all tires (except the spare tire) to the standard tire inflation pressure, as indicated on the tire and loading information label on the vehicle.

NOTE
 If there is a great difference between the current temperature of the tire and wheel (for example: shop temperature) and expected temperature (for example: outdoor temperature), this needs to be considered when adjusting the tire pressure. Adjust tire pressure when the tires are cold.

Figure 1.



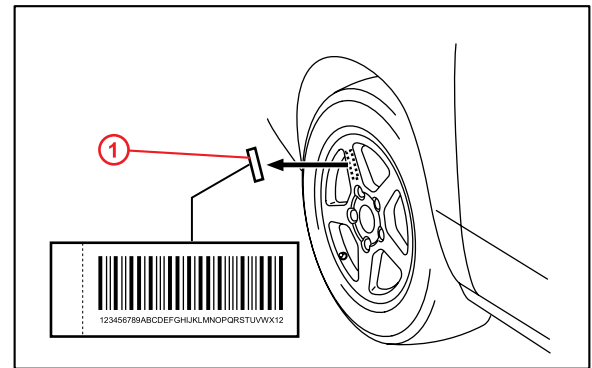
1 Tire and Loading Information Label

3. Cycle the ignition switch to the "IG-ON" mode.
4. Check the tire pressure of all tires using TIS techstream. If the tire pressure values cannot be displayed, the system is not operating properly. Refer to the Repair Manual.

NOTE
 If the tire pressure values are not properly displayed (example: showing -14 psi, -100kpa, etc.) the data from the transmitter has not been received.

5. Remove the ID number labels that are attached to each wheel and place the labels in the glove box.

Figure 2.



1 ID Number Label